



Bronze Guide Sleeve Installation Kit Kits

#3995 - 5mm Kit	
Part No.	Description
2028-C	Carbide Boring Reamer
2004	Reamer Bushing Kit
3610	Installation Driver
4454-P	Pneumatic Style Ball Pusher
5196	.196 Carbide Ball-Sizer
51965	.1965 Carbide Ball-Sizer
5197	.197 Carbide Ball-Sizer
5602	Trimming Tool
5636	Pilot for Trimming Tool
5800	Chamfer Tool
5870	T-Wrench for Chamfer Tool
7333	Universal Driver Attachment
7356	Removal Tool
1999-1	Nylon Valve Guide Brush
1998	Kit Box

#4020 - 6.6mm Kit	
Part No.	Description
2006-C	Carbide Boring Reamer
2001	Reamer Bushing Kit
3566	Installation Driver
4446-P	Pneumatic Style Ball Pusher
5260	.260 Carbide Ball-Sizer
5261	.261 Carbide Ball-Sizer
5262	.262 Carbide Ball-Sizer
5263	.263 Carbide Ball-Sizer
5602	Trimming Tool
5626	Pilot for Trimming Tool
5800	Chamfer Tool
5870	T-Wrench for Chamfer Tool
7333	Universal Driver Attachment
7342	Removal Tool
1999-1	Nylon Valve Guide Brush
1998	Kit Box

#4050 - 8mm Kit	
Part No.	Description
2008-C	Carbide Boring Reamer
2000	Reamer Bushing Kit
3500	Installation Driver
4444-P	Pneumatic Style Ball Pusher
5315	.315 Carbide Ball-Sizer
5316	.316 Carbide Ball-Sizer
5317	.317 Carbide Ball-Sizer
5318	.318 Carbide Ball-Sizer
5319	.319 Carbide Ball-Sizer
5600	Trimming Tool
5620	Pilot for Trimming Tool
5800	Chamfer Tool
5870	T-Wrench for Chamfer Tool
7333	Universal Driver Attachment
7320	Removal Tool
1999	Nylon Valve Guide Brush
1998	Kit Box

#4080 - 3/8" Kit	
Part No.	Description
2014-C	Carbide Boring Reamer
2000	Reamer Bushing Kit
3506	Installation Driver
4444-P	Pneumatic Style Ball Pusher
5373	.373 Carbide Ball-Sizer
5374	.374 Carbide Ball-Sizer
5375	.375 Carbide Ball-Sizer
5600	Trimming Tool
5624	Pilot for Trimming Tool
5800	Chamfer Tool
5870	T-Wrench for Chamfer Tool
7333	Universal Driver Attachment
7340	Removal Tool
1999	Nylon Valve Guide Brush
1998	Kit Box

#4000 - 5.5mm Kit	
Part No.	Description
2026-C	Carbide Boring Reamer
2002	Reamer Bushing Kit
3600	Installation Driver
4452-P	Pneumatic Style Ball Pusher
52165	.2165 Carbide Ball-Sizer
52175	.2175 Carbide Ball-Sizer
5218	.218 Carbide Ball-Sizer
5602	Trimming Tool
5634	Pilot for Trimming Tool
5800	Chamfer Tool
5870	T-Wrench for Chamfer Tool
7333	Universal Driver Attachment
7354	Removal Tool
1999-1	Nylon Valve Guide Brush
1998	Kit Box

#4030 - 7mm Kit	
Part No.	Description
2007-C	Carbide Boring Reamer
2001	Reamer Bushing Kit
3507	Installation Driver
4446-P	Pneumatic Style Ball Pusher
5276	.276 Carbide Ball-Sizer
5277	.277 Carbide Ball-Sizer
5278	.278 Carbide Ball-Sizer
5600	Trimming Tool
5626	Pilot for Trimming Tool
5800	Chamfer Tool
5870	T-Wrench for Chamfer Tool
7333	Universal Driver Attachment
7344	Removal Tool
1999-1	Nylon Valve Guide Brush
1998	Kit Box

#4060 - 11/32" Kit	
Part No.	Description
2012-C	Carbide Boring Reamer
2000	Reamer Bushing Kit
3504	Installation Driver
4444-P	Pneumatic Style Ball Pusher
5343	.343 Carbide Ball-Sizer
5344	.344 Carbide Ball-Sizer
53445	.3445 Carbide Ball-Sizer
5345	.345 Carbide Ball-Sizer
5600	Trimming Tool
5622	Pilot for Trimming Tool
5800	Chamfer Tool
5870	T-Wrench for Chamfer Tool
7333	Universal Driver Attachment
7330	Removal Tool
1999	Nylon Valve Guide Brush
1998	Kit Box

#4010 - 6mm Kit	
Part No.	Description
2024-C	Carbide Boring Reamer
2003	Reamer Bushing Kit
3600	Installation Driver
4452-P	Pneumatic Style Ball Pusher
5236	.236 Carbide Ball-Sizer
5237	.237 Carbide Ball-Sizer
5238	.238 Carbide Ball-Sizer
5602	Trimming Tool
5634	Pilot for Trimming Tool
5800	Chamfer Tool
5870	T-Wrench for Chamfer Tool
7333	Universal Driver Attachment
7352	Removal Tool
1999-1	Nylon Valve Guide Brush
1998	Kit Box

#4040 - 5/16" Kit	
Part No.	Description
2005-C	Carbide Boring Reamer
2000	Reamer Bushing Kit
3500	Installation Driver
4444-P	Pneumatic Style Ball Pusher
5312	.312 Carbide Ball-Sizer
53125	.3125 Carbide Ball-Sizer
5313	.313 Carbide Ball-Sizer
5600	Trimming Tool
5620	Pilot for Trimming Tool
5800	Chamfer Tool
5870	T-Wrench for Chamfer Tool
7333	Universal Driver Attachment
7310	Removal Tool
1999	Nylon Valve Guide Brush
1998	Kit Box

#4070 - 9mm Kit	
Part No.	Description
2018-C	Carbide Boring Reamer
2000	Reamer Bushing Kit
3512	Installation Driver
4444-P	Pneumatic Style Ball Pusher
5354	.354 Carbide Ball-Sizer
5355	.355 Carbide Ball-Sizer
5356	.356 Carbide Ball-Sizer
5600	Trimming Tool
5630	Pilot for Trimming Tool
5800	Chamfer Tool
5870	T-Wrench for Chamfer Tool
7333	Universal Driver Attachment
7348	Removal Tool
1999	Nylon Valve Guide Brush
1998	Kit Box

Bronze-Liners for Valve Guides



Bronze-Liners

Part No.	Size
S-500	5mm (.197") x 2.000" Long - Standard
S-550	5.5mm (.216") x 2.500" Long - Standard
U-599	6mm (.234") x 2.500" Long - Undersize
S-600	6mm (.236") x 2.500" Long - Standard
S-602	6.07mm (.239") x 2.500" Long - Standard
S-610	6mm (.236") x 3.000" Long - Standard
S-660	6.6mm (.260") x 2.500" Long - Standard
U-699	7mm (.274") x 2.500" Long - Undersize
U-6993	7mm (.274") x 3.000" Long - Undersize
S-700	7mm (.276") x 2.500" Long - Standard
S-710	7.09mm (.276") x 3.000" Long - Standard
S-713	7.14mm (.279") x 2.500" Long - Standard
S-715	7mm (.281") x 2.500" Long - Standard
U-1112	5/16" (.310") x 2.000" Long - Undersize
U-1122	5/16" (.310") x 2.500" Long - Undersize
U-1132	5/16" (.310") x 3.000" Long - Undersize
S-1210	5/16" (.312") x 2.000" Long - Standard
S-1220	5/16" (.312") x 2.500" Long - Standard
S-1230	5/16" (.312") x 3.000" Long - Standard
U-1302	8mm (.3125") x 2.500" Long - Undersize
U-1312	8mm (.313") x 2.000" Long - Undersize
U-1322	8mm (.313") x 2.500" Long - Undersize
S-1332	8mm (.313") x 3.000" Long - Undersize
S-1410	8mm (.315") x 2.000" Long - Standard
S-1420	8mm (.315") x 2.500" Long - Standard
S-1430	8mm (.315") x 3.000" Long - Standard
S-1440	8.05mm (.317") x 2.500" Long - Standard
S-1450	8.05mm (.317") x 3.000" Long - Standard
U-1522	11/32" (.341") x 2.250" Long - Undersize
U-1532	11/32" (.341") x 2.500" Long - Undersize
U-1525	11/32" (.338") x 2.250" Long - Undersize
U-1535	11/32" (.338") x 2.500" Long - Undersize
U-1541	11/32" Special (.338") x 2.500" Long - Undersize
S-1620	11/32" (.343") x 2.250" Long - Standard
S-1630	11/32" (.343") x 2.500" Long - Standard
S-1640	11/32" (.343") x 3.000" Long - Standard
S-1641	11/32" Special (.343") x 2.500" Long - Standard
S-1690	9mm (.354") x 2.500" Long - Standard
U-1712	3/8" (.371") x 2.250" Long - Undersize
U-1722	3/8" (.371") x 2.500" Long - Undersize
U-1732	3/8" (.371") x 3.000" Long - Undersize
U-1715	3/8" (.368") x 2.250" Long - Undersize
U-1725	3/8" (.368") x 2.500" Long - Undersize
U-1735	3/8" (.368") x 3.000" Long - Undersize
S-1810	3/8" (.373") x 2.250" Long - Standard
S-1821	3/8" (.373") x 2.625" Long - Standard
S-1830	3/8" (.373") x 3.000" Long - Standard
S-1831	3/8" (.374") x 3.000" Long - Undersize

Standard Bronze-Liners for Over-Bored Valve Guides

Part No.	Size
S-1640-2	11/32 (.343") x 3.000" Long Fits a .375" bore instead of .372"
S-1820-2	3/8" (.373") x 2.500" Long Fits a .406" bore instead of .404"
S-1820-4	3/8" (.373") x 3.00" Long Fits a .408" bore instead of .404"

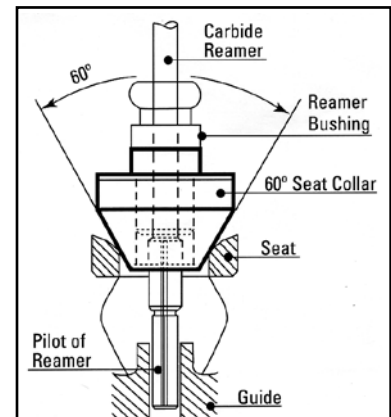


60° Seat Collar Kit

Part No. 6500

60 degree seat collars align from the lower portion of the valve seat. This provides an extremely accurate and stable position.

Kit contains six seat collars; sizes from 1" diameter to 2-1/4".



CLASSIC
Engine Supplies, Inc.

www.classicenginesupplies.com

47 Fairway Crescent
Amherstburg, Ontario, CN N9V 3T5
Shop 519.776.5608
Shop Toll Free 888.776.5608
Office 519.736.1351 Fax 519.736.1940
Frank Pavlich

3393 Lincoln Road, Unit 8
Hamilton, MI 49419
269.264.1200 Fax 269.264-1127
Toll Free 1-800-393-0544
George Hoving

08-2012